



PARTS CATALOG

Published 2010/12 (Dec.)

0CW10-G35200

PREFACE

1. This parts catalog is the 1st edition of 3TNV88-BGPGE for Pramac Spa

Pub.No. : 000Y00W3520

Published : April,2008

Directions for the Parts Catalog.

1. The parts stipulated in this Parts Catalog are not necessarily standard equipped parts.
2. Parts may change without prior notice.
3. The following is an example of the Parts Catalog format.

OCF10-G21601		29. FUEL INJECTION PUMP(W/BOOST)									
REF.	LEV.	PARTS NO.	DESCRIPTION	(A)	(B)	(C)	(D)	(E)	(F)	I	R
1	1	729595-51390	FUEL INJECTION PUMP	1	1	1	1	1			1
1-1	1	729595-51391	FUEL INJECTION PUMP	1	1	1	1	1		N	1
		(A=E00185)	(B=E00200)								
3	2	26022-060162	SCREW M 6X 16	9	9	9	9	9			
3-1	2	26022-060162	SCREW M 6X 16	4	4	4	4	4		K	
		(A=E00156)	(B=E00156)	(C=E00156)	(D=E00156)	(E=E00156)					
4	2	129470-51040	CAMSHAFT	1	1	1	1	1			
5	2	122710-51050	BEARING, ROLLER	2	2	2	2	2			
6	2	129470-51060	RETAINER	1	1	1	1	1			

Remarks
(1) BOOST COMPEMSATOR TYPE. OPTIONAL PART, TO E00155,(4JH-DT, 4JH-DTZ

① Ref. No.

The Ref. No. listed may not be in accordance with the illustration Ref. No.

(Ex.) Illustration No.

List Ref No.

1 1 (Before change) → 1-1 (After change)

For interchangeable symbols N, R and K, illustrations for new parts may be abbreviated.

② Lev. (Level)

Level indication

The numbers below indicate the level of relativity towards the main part.

1 ----- Main parts (Assembly parts)

2 ----- Sub component included in " 1 ".

3 ----- Sub component included in " 2 ".

Note) Parts that are not for sale are partially illustrated but not listed.

③ Interchangeability Mark

When a part change takes place, one of the following interchangeability symbols is indicated beside the part.

Symbol	Interchangeability	Contents note
N	Old $\begin{matrix} \leftarrow \text{Yes} \\ \text{No} \rightarrow \end{matrix}$ New	New Part is interchangeable for Old Part but Old Part is not interchangeable for New Part.
Q	Old $\begin{matrix} \leftarrow \text{No} \\ \text{Yes} \rightarrow \end{matrix}$ New	New Part is not interchangeable for Old Part but Old Part is interchangeable for New Part.
R	Old $\begin{matrix} \leftarrow \text{Yes} \\ \text{Yes} \rightarrow \end{matrix}$ New	New/ Old Parts are both interchangeable.
S	Old $\begin{matrix} \leftarrow \text{No} \\ \text{No} \rightarrow \end{matrix}$ New	New/ Old Parts are both not interchangeable.
W		Part newly added.
Z		Part discontinued.
F		Not interchangeable by a single part but interchangeable together with related parts.
K		Changes only for used parts quantities.

④ Effective Machine No.

When a part changes, the effective Machine No. will be indicated in the (A)-(F) column.

Product Symbol	Product No.	Product Symbol	Product No.
C	Clutch No. Compressor No.	F	Machine No. (Agricultural Equip.)
D	Drive No.	M	Machine No.
E	Engine No.		

Note 1) A date may follow the symbol. (Ex.) 1996.01

Note 2) "XXXXX" and "ZZZZZ" are for parts that could not be predicted or for engine models that could not be identified.

Note 3) (A=E00185) is the E (Engine Serial Number) for the column (A) model (in this case 4JH-DT) after the parts design change.

⑤ Remarks Mark

Figures or alphabets (symbols) are entered in the remarks column.

The comments (remarks) on parts that are indicated at the bottom of the illustration are the same symbols as those stated above.

CONTENTS

MODEL : 3TNV88-BGPGE

PC NO : 0CW10-G35200

Fig.No. GROUP NAME

3TNV88-BGPGE

1. CYLINDER BLOCK
2. GEAR HOUSING
3. FLYWHEEL HOUSING & OIL SUMP
4. CYLINDER HEAD & BONNET
5. SUCTION MANIFOLD & AIR CLEANER
6. EXHAUST MANIFOLD
7. CAMSHAFT & DRIVING GEAR
8. CRANKSHAFT & PISTON
9. LUB.OIL SYSTEM
10. COOLING WATER SYSTEM
11. FUEL INJECTION PUMP
12. GOVERNOR
13. FUEL INJECTION VALVE
14. FUEL LINE
15. STARTING MOTOR
16. GENERATOR
17. GASKET SET
18. SHORT BLOCK

Fig.No. GROUP NAME

Fig.1. CYLINDER BLOCK

(A)=3TNV88-BGPGE

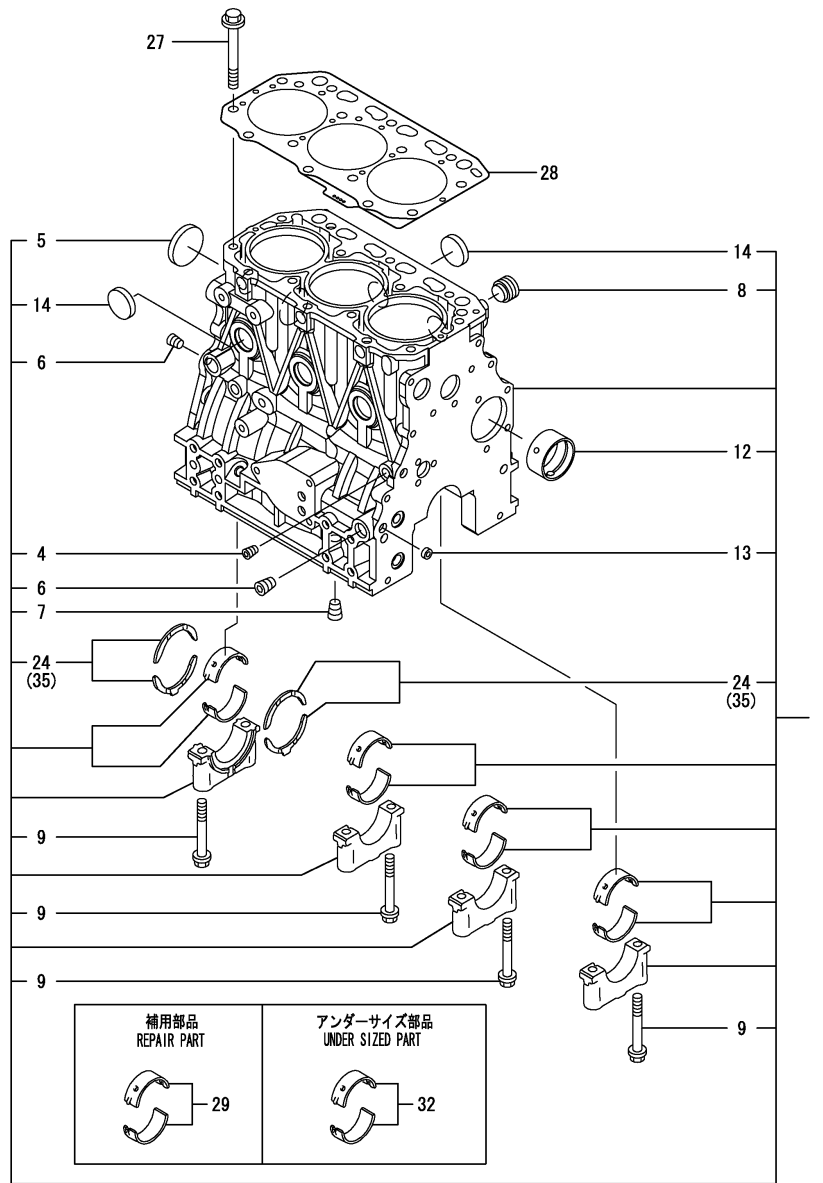
(B)=

(C)=

(D)=

(E)=

(F)=

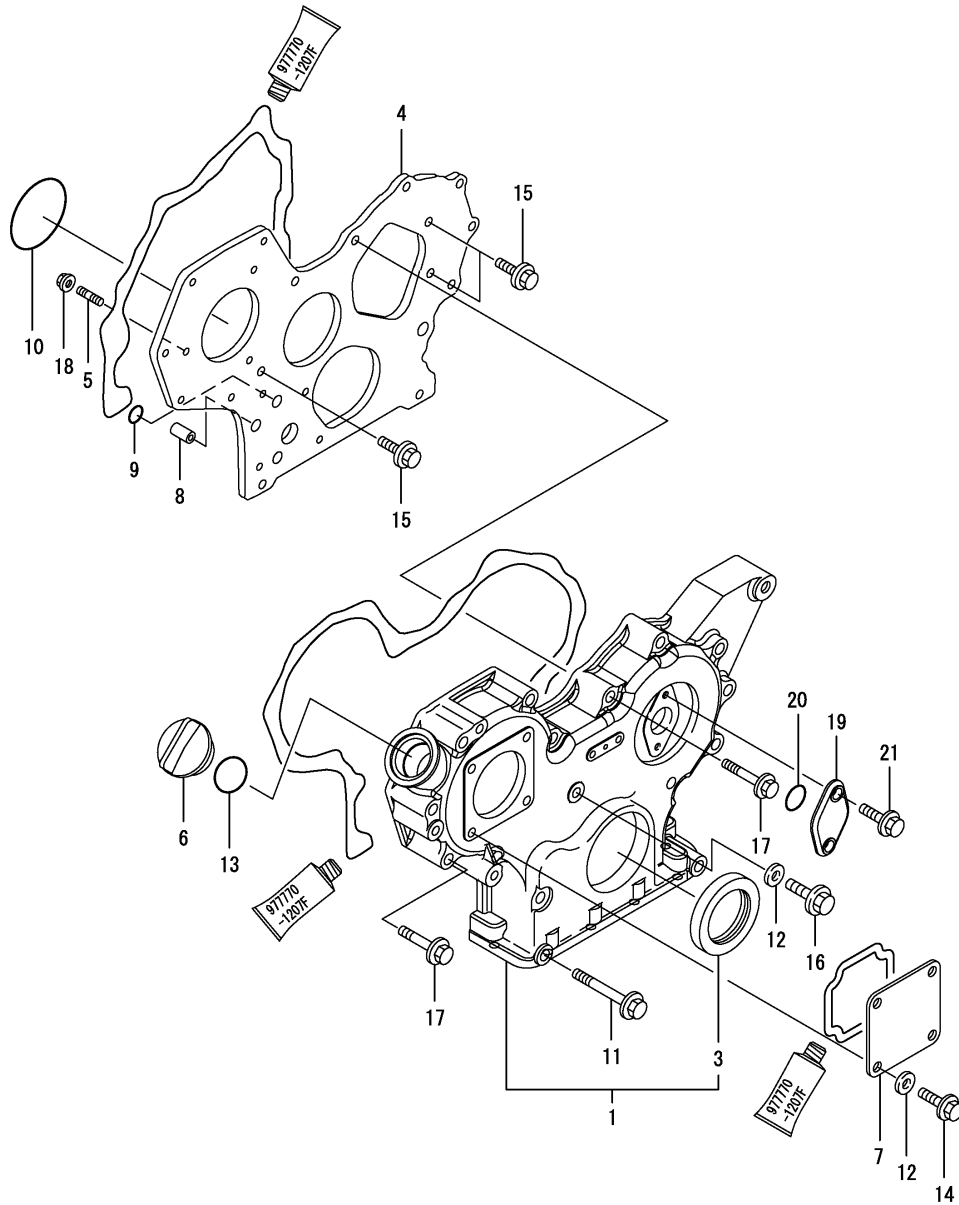


REF.	LEV.	PARTS NO.	DESCRIPTION	QTY						I	R
				(A)	(B)	(C)	(D)	(E)	(F)		
1	1	729005-01560	BLOCK ASSY, CYLINDER	1							
4	2	124060-01050	PLUG PT1/8	1							
5	2	129001-01250	PLUG 50	1							
6	2	124160-01910	PLUG PT1/4	2							
7	2	124160-01910	PLUG PT1/4	1							
8	2	171051-01921	PLUG	1							
9	2	129150-02020	BOLT, METAL CAP	8							
12	2	129795-02412	BUSH, CAMSHAFT	1							
13	2	27241-120000	PLUG 12	2							
14	2	27241-300000	PLUG 30	6							
24	2	129150-02931	METAL, THRUST	2							
27	1	129150-01200	STUD, CYL. HEAD	14							
28	1	129001-01340	GASKET, (NON-ASB.)	1							
29	1	129001-02931	MAIN BEARING SET	4							1
32	1	129150-02871	MAIN METAL US=0.25	4							2
35	1	129150-02941	METAL, THRUST.25(4PIE	1							3

Remarks

- (1) REPAIR PART.
- (2) UNDER-SIZED(U.S=0.25)PART.
- (3) OVER-SIZED(O.S=0.25)PART.

Fig.2. GEAR HOUSING



0CW10-G35200 2. GEAR HOUSING

(A)=3TNV88-BGPGE

(B)=

(C)=

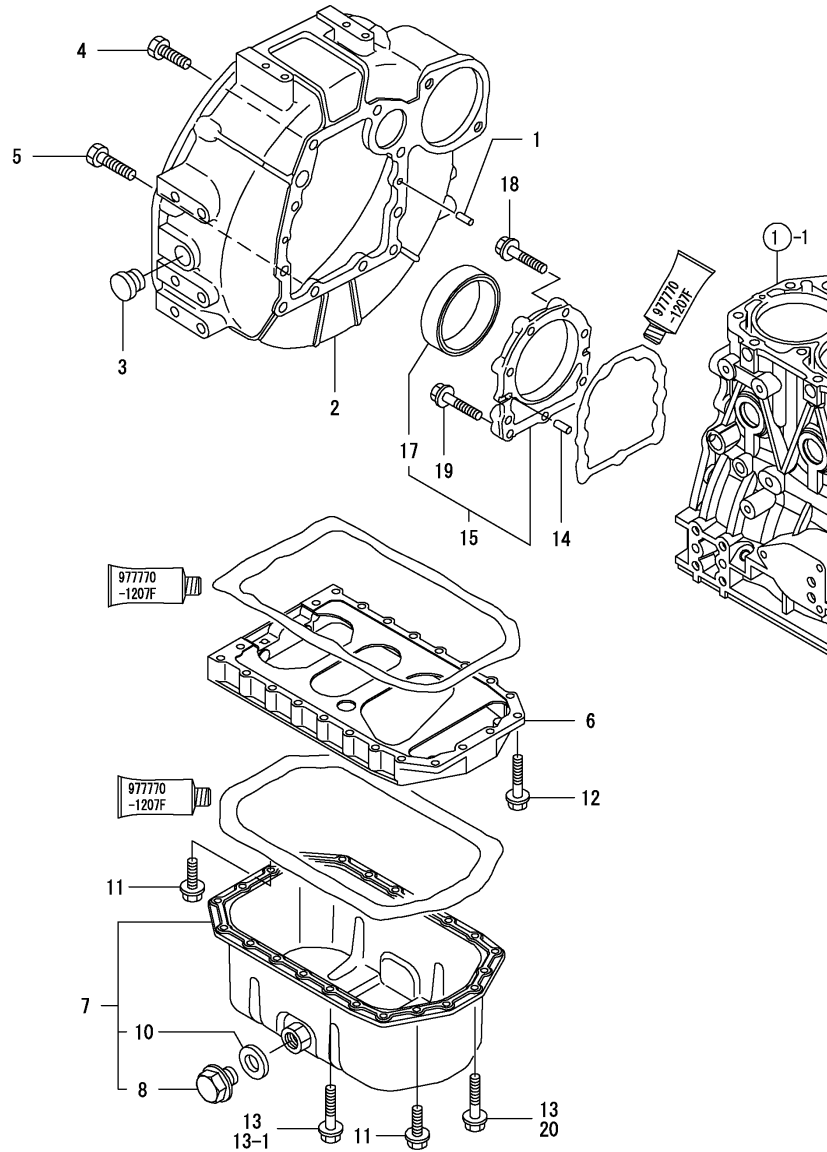
(D)=

(E)=

(F)=

REF.	LEV.	PARTS NO.	DESCRIPTION	Q'TY						I	R
				(A)	(B)	(C)	(D)	(E)	(F)		
1	1	719803-01500	GEAR CASE ASSY	1							
3	2	119934-01800	SEAL, OIL	1							
4	1	119803-01520	FLANGE, GEAR CASE	1							
5	1	119802-01561	STUD, M8X25	3							
6	1	124160-01751	COVER,FILLER	1							
7	1	124240-01871	COVER, HO-P	1							
8	1	129795-01950	PIPE, KNOCK L=18	2							
9	1	119609-32040	O-RING P16	2							
10	1	121850-51960	O-RING, F.I.PUMP	1							
11	1	129001-91841	BOLT M 8X 85 PLATED	3							
12	1	22190-080002	SEAL WASHER 8S	5							
13	1	24311-000320	O-RING 1A P-32.0	1							
14	1	26106-080162	BOLT M 8X 16 PLATED	4							
15	1	26106-080162	BOLT M 8X 16 PLATED	3							
16	1	26106-080302	BOLT M 8X 30 PLATED	1							
17	1	26106-080552	BOLT M 8X 55 PLATED	12							
18	1	26306-080002	NUT	3							
19	1	121023-01551	COVER, BLIND	1							
20	1	24341-000240	O-RING 1A S-24.0	1							
21	1	26106-060162	BOLT M 6X 16 PLATED	2							

Fig.3. FLYWHEEL HOUSING & OIL SUMP



0CW10-G35200 3. FLYWHEEL HOUSING & OIL SUMP

(A)=3TNV88-BGPGE

(B)=

(C)=

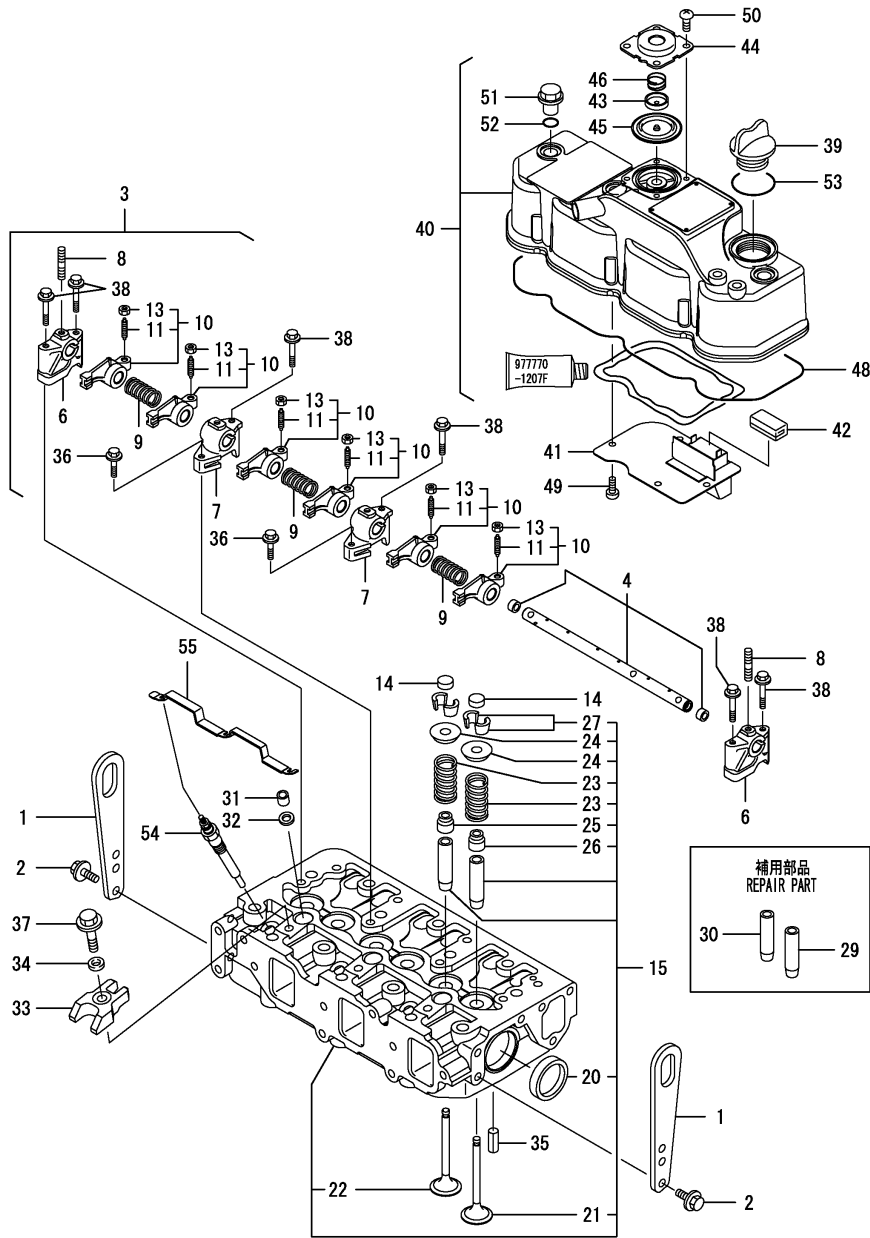
(D)=

(E)=

(F)=

REF.	LEV.	PARTS NO.	DESCRIPTION	Q'TY						I	R
				(A)	(B)	(C)	(D)	(E)	(F)		
1	1	129100-01580	PARALLEL PIN 8X16	2							
2	1	171420-01600	HOUSING, FLYWHEEL	1							
3	1	119620-01750	CAP, FLYWHEEL COVER	1							
4	1	26206-100252	BOLT M10X25	6							
5	1	26206-100302	BOLT M10X30	4							
6	1	129100-01730	SPACER, OIL SUMP	1							
7	1	129100-01760	SUMP ASSY, OIL	1							
8	2	119640-01640	DRAIN PLUG M22	1							
10	2	22190-220002	SEAL WASHER 22S	1							
11	1	26106-080162	BOLT M 8X 16 PLATED	4							
12	1	26106-080252	BOLT M 8X 25 PLATED	2							
13	1	26106-080452	BOLT M 8X 45 PLATED	20							
13-1	1	26106-080452	BOLT M 8X 45 PLATED	16							K
(A=FROM 1ST)											
14	1	129100-01580	PARALLEL PIN 8X16	2							
15	1	129100-01640	CASE ASSY, OIL SEAL	1							
17	2	129795-01780	SEAL, OIL	1							
18	1	129486-01670	BOLT M8X30,COLLAR HD	6							
19	1	26106-080352	BOLT M 8X 35 PLATED	3							
20	1	26106-080502	BOLT M 8X 50 PLATED	4							W
(A=FROM 1ST)											

Fig.4. CYLINDER HEAD & BONNET



(A)=3TNV88-BGPGE

(B)=

(C)=

(D)=

(E)=

(F)=

REF.	LEV.	PARTS NO.	DESCRIPTION	QTY						I	R
				(A)	(B)	(C)	(D)	(E)	(F)		
1	1	129900-07900	LIFTER, ENGINE	2							
2	1	26106-080162	BOLT M 8X 16 PLATED	4							
3	1	129004-11241	SHAFT ASSY, ROCKER	1							
4	2	129004-11251	SHAFT, ROCKER ARM	1							
6	2	119802-11260	SUPPORT, ROCKER ARM	2							
7	2	119802-11270	SUPPORT, ROCKER ARM	2							
8	2	119802-11280	STUD	3							
9	2	129150-11280	SPRING	3							
10	2	129004-11650	ARM ASSY, ROCKER	6							
11	3	129150-11230	SCREW, VALVE	6							
13	3	129150-11750	NUT M8XP1.0	6							
14	1	129150-11370	CAP, VALVE	6							
15	1	129008-11700	HEAD ASSY, CYLINDER	1							
20	2	27241-400000	PLUG 40	2							
21	2	129005-11100	VALVE, INTAKE	3							
22	2	129100-11112	VALVE, EXHAUST	3							
23	2	129795-11120	SPRING, VALVE	6							
24	2	129795-11180	RETAINER, SPRING	6							
25	2	121400-11340	SEAL, VALVE STEM	3							
26	2	124460-11340	SEAL, VALVE STEM	3							
27	2	27310-080001	COTTER 8	6							
29	1	120130-11860	GUIDE, VALVE	3							1
30	1	129150-11810	GUIDE, VALVE	3							1
31	1	119802-11870	PROTECTOR, NOZZLE	3							
32	1	119625-11880	SEAT, NOZZLE	3							
33	1	129004-11900	RETAINER, NOZZLE	3							
34	1	120270-54410	WASHER	3							
35	1	22351-060012	SPRING PIN 6X12	2							
36	1	26106-080252	BOLT M 8X 25 PLATED	2							
37	1	26106-080352	BOLT M 8X 35 PLATED	3							
38	1	26106-080502	BOLT M 8X 50 PLATED	6							
39	1	124160-01751	COVER, FILLER	1							
40	1	129004-11350	BONNET ASSY, HEAD	1							
41	2	129004-03010	PLATE, BAFFLE	1							
42	2	129150-03070	BAFFLE, BREATHER	1							
43	2	119802-03110	PLATE, DIAPHRAGM	1							
44	2	119802-03121	COVER, DIAPHRAGM	1							
45	2	119802-03130	DIAPHRAGM	1							
46	2	119802-03141	SPRING, DIAPHRAGM	1							
48	2	129004-11310	GASKET, BONNET	1							
49	2	22857-500100	SCREW 5X10, TAPPING	4							
50	2	22857-500100	SCREW 5X10, TAPPING	4							
51	1	124160-11360	KNOB	3							
52	1	24311-000120	PACKING, P 12.0	3							
53	1	24311-000320	O-RING 1A P-32.0	1							
54	1	129008-77800	PLUG, GLOW	3							
55	1	129008-77820	CONNECTOR, GLOW PLUG	1							

Remarks
(1) REPAIR PART.

Fig.5. SUCTION MANIFOLD & AIR CLEANER

(A)=3TNV88-BGPGE

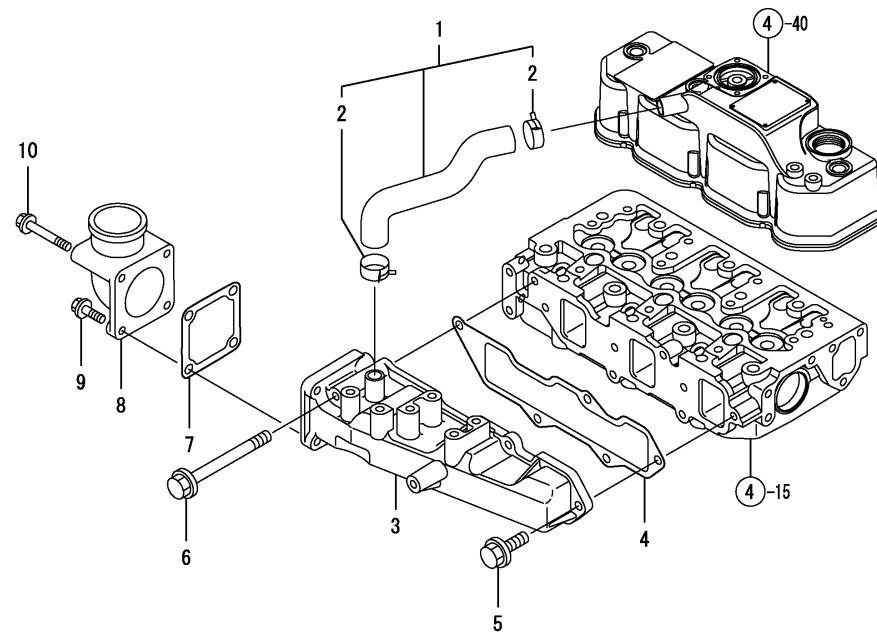
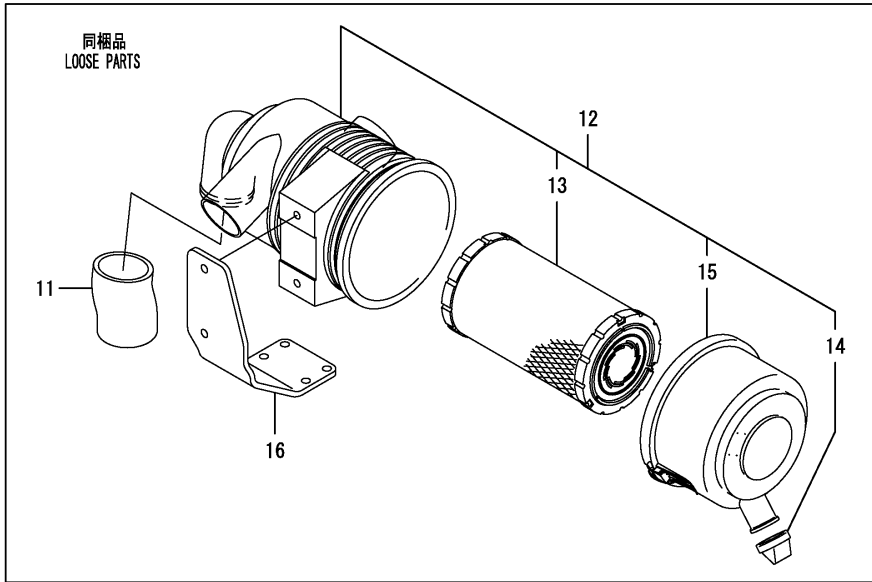
(B)=

(C)=

(D)=

(E)=

(F)=



REF.	LEV.	PARTS NO.	DESCRIPTION	QTY						I	R
				(A)	(B)	(C)	(D)	(E)	(F)		
1	1	129004-03080	PIPE, BREATHER	1							
2	2	129410-03990	CLAMP 22	2							
3	1	129004-12100	MANIFOLD, INTAKE	1							
4	1	129001-12110	GASKET, MANIFOLD	1							
5	1	26106-080202	BOLT M 8X 20 PLATED	4							
6	1	26106-080802	BOLT M 8X 80 PLATED	1							
7	1	129150-77511	GASKET, AIR HEATER	1							
8	1	119803-77520	BEND	1							
9	1	26106-080202	BOLT M 8X 20 PLATED	2							
10	1	26106-080802	BOLT M 8X 80 PLATED	2							
11	1	119910-12210	PIPE,INTAKE	1							
12	1	119802-12500	AIRCLEANER	1							
13	2	129004-12520	ELEMENT 5INCH	1							
14	2	119808-12540	VALVE, UNLOADER	1							
15	2	119866-12541	COVER ASSY	1							
16	1	119802-12560	BRACKET,AIRCLEANER	1							

Fig.6. EXHAUST MANIFOLD

0CW10-G35200 6. EXHAUST MANIFOLD

(A)=3TNV88-BGPGE

(B)=

(C)=

(D)=

(E)=

(F)=

REF.	LEV.	PARTS NO.	DESCRIPTION	Q'TY						I	R
				(A)	(B)	(C)	(D)	(E)	(F)		
1	1	129004-13109	MANIFOLD, EXHAUST	1							
2	1	129150-13110	GASKET, EXH.MANIFOLD	1							
3	1	123900-13610	STUD BOLT M 8X 80	2							
4	1	123900-13630	BOLT 8X80	4							
5	1	119131-18320	BOLT M 8X 22	4							
6	1	26306-080002	NUT	2							
7	1	129004-13200	GASKET, SILENCER	1							

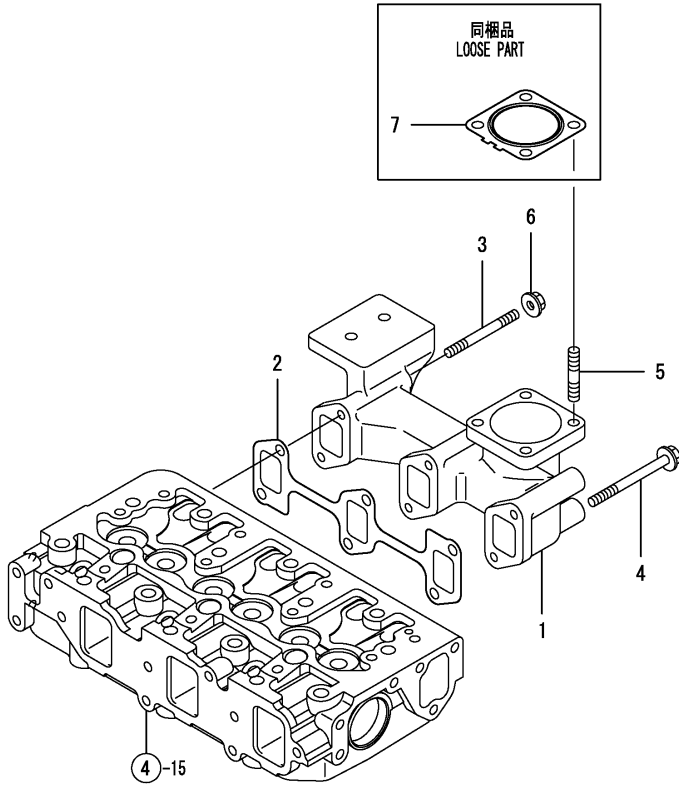


Fig.7. CAMSHAFT & DRIVING GEAR

(A)=3TNV88-BGPGE

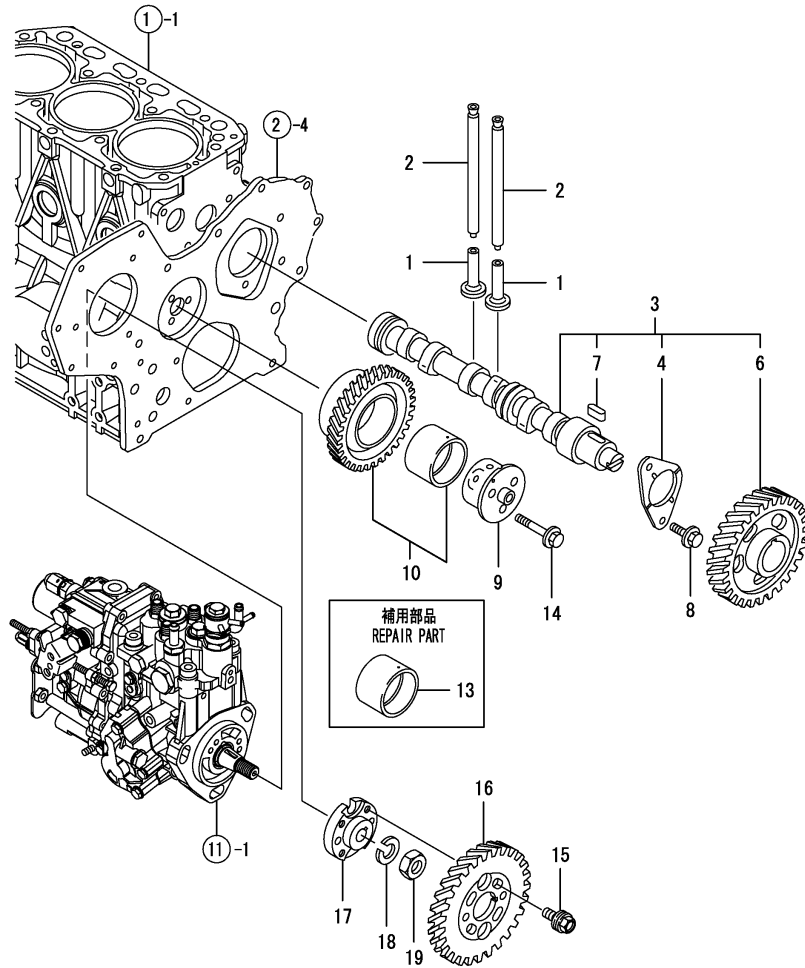
(B)=

(C)=

(D)=

(E)=

(F)=



REF.	LEV.	PARTS NO.	DESCRIPTION	Q'TY						I	R
				(A)	(B)	(C)	(D)	(E)	(F)		
1	1	129150-14200	TAPPET	6							
2	1	129150-14400	ROD, PUSH	6							
3	1	129004-14580	CAMSHAFT ASSY	1							
4	2	129150-02450	METAL,THRUST(CAM	1							
6	2	129150-14101	GEAR, CAMSHAFT	1							
7	2	22512-070140	KEY 7X 14	1							
8	1	26106-080142	BOLT 8X 14 PLATED	2							
9	1	119803-25050	SHAFT, IDLE GEAR	1							
10	1	119802-25101	GEAR ASSY, IDLE	1							
13	1	119802-25071	BUSH, IDLE GEAR	1							1
14	1	26106-080402	BOLT M 8X 40 PLATED	3							
15	1	129150-25301	BOLT,FI-P	4							
16	1	119802-25901	GEAR, PUMP	1							
17	1	158552-51151	FLANGE	1							
18	1	22217-140000	SPRING WASHER 14	1							
19	1	26776-140002	LOCK NUT M14 PLATED	1							

Remarks
(1) REPAIR PART.

Fig.8. CRANKSHAFT & PISTON

(A)=3TNV88-BGPGE

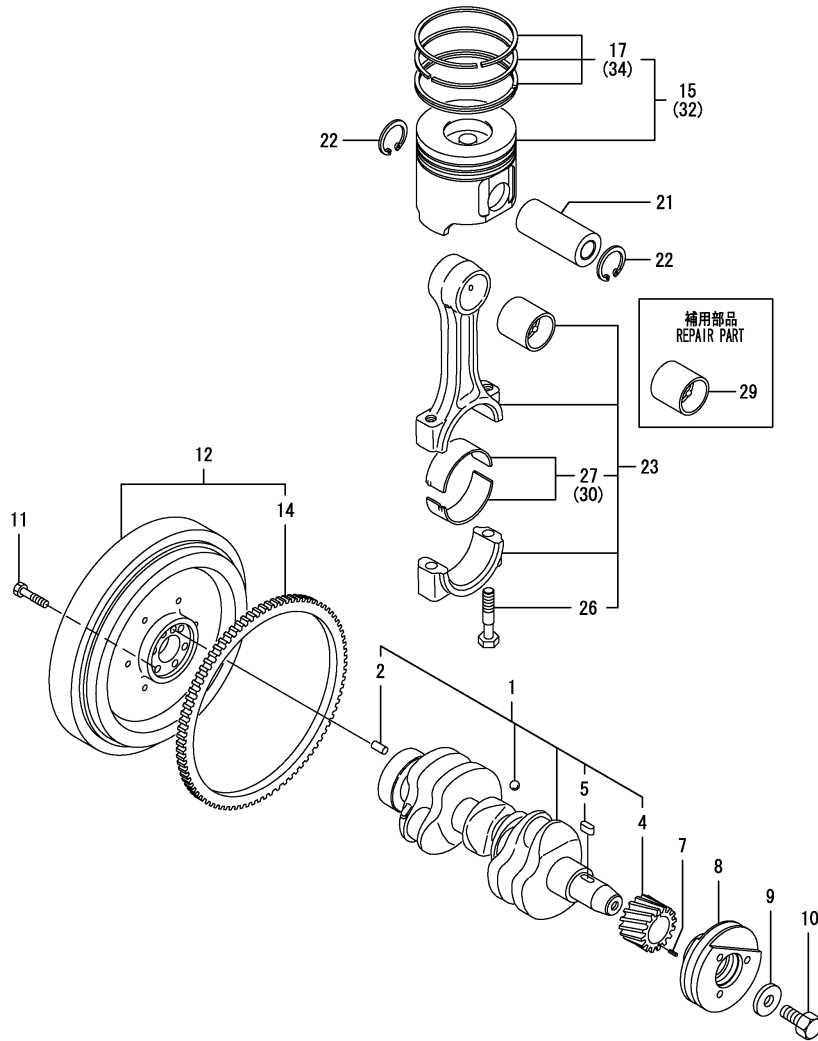
(B)=

(C)=

(D)=

(E)=

(F)=



REF.	LEV.	PARTS NO.	DESCRIPTION	QTY						I	R
				(A)	(B)	(C)	(D)	(E)	(F)		
1	1	129008-21000	CRANKSHAFT ASSY	1							
2	2	129100-01580	PARALLEL PIN 8X16	1							
4	2	119803-21200	GEAR, CRANKSHAFT	1							
5	2	22512-070140	KEY 7X 14	1							
7	1	22351-030010	SPRING PIN 3X10	1							
8	1	129005-21650	V-PULLEY, CRANKSHAFT	1							
9	1	129795-21661	WASHER	1							
10	1	121850-21680	BOLT, V-PULLEY	1							
11	1	121111-21501	BOLT, FLYWHEEL	6							
12	1	171340-21590	FLYWHEEL W/RING GEAR	1							
14	2	124550-21600	RING GEAR	1							
15	1	129008-22080	PISTON ASSY	3							
17	2	129005-22500	RING SET, PISTON	3							
21	1	129202-22300	PIN, PISTON(D26,L70)	3							
22	1	22252-000260	CIRCLIP 26	6							
23	1	729402-23100	ROD ASSY, CONNECTING	3							
26	2	121550-23200	BOLT, CONNECTING ROD	6							
27	2	129150-23601	METAL, CRANKPIN	3							
29	1	129100-23910	BUSH, PISTON PIN	3							1
30	1	129150-23611	METAL.PIN US=0.25	3							2
32	1	129008-22900	PISTON ASSY	3							3
34	2	129005-22950	RING SET O.S=0.25	3							3

Remarks

- (1) REPAIR PART.
- (2) UNDER-SIZED(U.S=0.25)PART.
- (3) OVER-SIZED(O.S=0.25)PART.

Fig.9. LUB.OIL SYSTEM

(A)=3TNV88-BGPGE

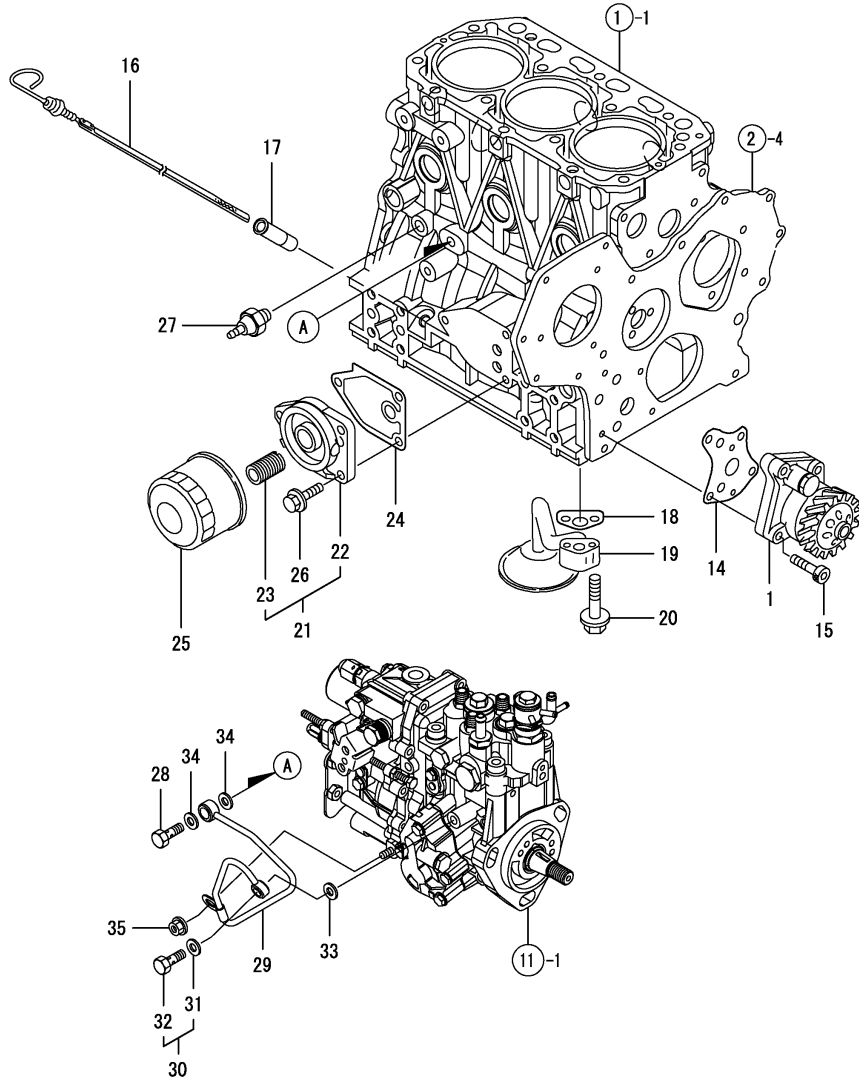
(B)=

(C)=

(D)=

(E)=

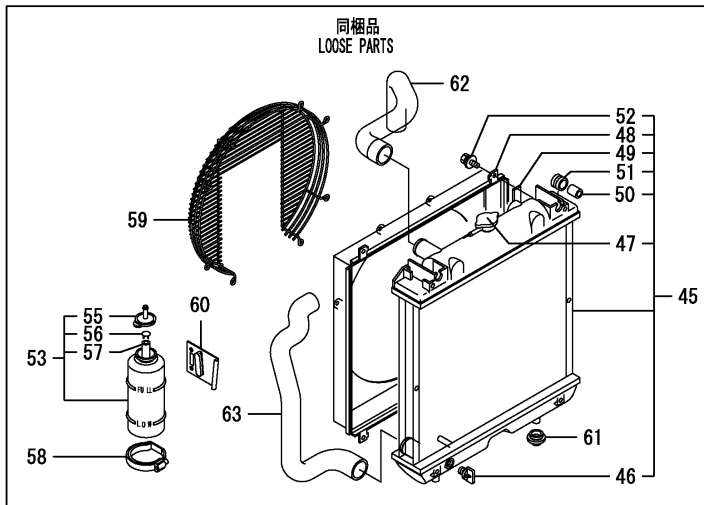
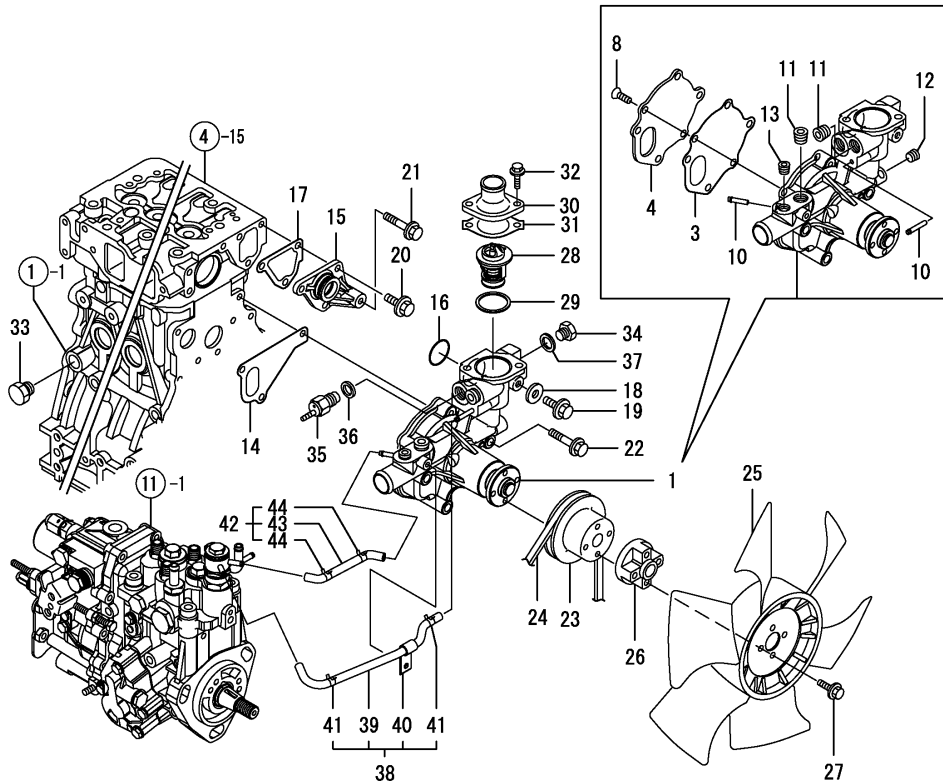
(F)=



REF.	LEV.	PARTS NO.	DESCRIPTION	Q'TY						I	R
				(A)	(B)	(C)	(D)	(E)	(F)		
1	1	129001-32001	PUMP ASSY, LUB. OIL	1							
14	1	129150-32020	GASKET, L.O. PUMP	1							
15	1	26450-060252	BOLT M 6X 25	4							
16	1	129004-34802	DIPSTICK, LUB.OIL	1							
17	1	121520-34810	GUIDE, DIPSTICK	1							
18	1	129150-35042	GASKET, PIPE	1							
19	1	129100-35301	PIPE ASSY, OIL INLET	1							
20	1	26106-080352	BOLT M 8X 35 PLATED	2							
21	1	119802-35100	BRACKET ASSY, FILTER	1							
22	2	119802-35110	BRACKET, FILTER	1							
23	2	129100-35140	STUD	1							
24	1	129150-35111	GASKET, BRACKET	1							
25	1	129150-35153	FILTER 80X80L	1							1
26	1	26106-080202	BOLT M 8X 20 PLATED	3							
27	1	114250-39450	SWITCH,(0.5KG)L.O.	1							
28	1	124160-39140	BOLT 10, PIPE JOINT	1							
29	1	119802-39450	PIPE ASSY, LUB. OIL	1							
30	1	129005-59830	BOLT ASSY, JOINT	1							
31	2	22190-080002	SEAL WASHER 8S	1							
32	2	23857-030000	JOINT BOLT 3	1							
33	1	22190-080002	SEAL WASHER 8S	1							
34	1	22190-100002	SEAL WASHER 10S	2							
35	1	26366-060002	NUT M 6	1							

Remarks
(1) REPAIR PART.

Fig.10. COOLING WATER SYSTEM



(A)=3TNV88-BGPGE

(B)=

(C)=

(D)=

(E)=

(F)=

REF.	LEV.	PARTS NO.	DESCRIPTION	QTY						I	R
				(A)	(B)	(C)	(D)	(E)	(F)		
1	1	129004-42001	PUMP ASSY, WATER	1							
3	2	129100-42051	GASKET, PUMP	1							
4	2	129100-42121	PLATE	1							
8	2	121850-42410	SCREW	3							
10	2	119802-49113	JOINT	2							
11	2	129916-49740	PLUG, DRAIN R03	2							
12	2	23876-010000	PLUG PT1/8,SCREW	1							
13	2	23876-020000	PLUG PT1/4,SCREW	1							
14	1	129486-42021	GASKET	1							
15	1	129004-42040	JOINT	1							
16	1	129486-42140	O-RING,CW-P	1							
17	1	124395-49840	GASKET, CASE	1							
18	1	23414-080000	GASKET 8, ROUND	1							
19	1	26106-080122	BOLT M 8X 12 PLATED	1							
20	1	26106-080162	BOLT M 8X 16 PLATED	3							
21	1	26106-080452	BOLT M 8X 45 PLATED	1							
22	1	26106-080602	BOLT M 8X 60 PLATED	3							
23	1	129155-42350	V-PULLEY, C.W. PUMP	1							
24	1	129612-42330	V-BELT	1							
25	1	129030-44740	FAN (D360*UG	1							
26	1	121267-44760	SPACER	1							
27	1	26106-060302	BOLT M 6X 30 PLATED	4							
28	1	129155-49801	THERMOSTAT,71	1							
29	1	129150-49811	GASKET, (NON-ASB.)	1							
30	1	129350-49530	COVER, THERMOSTAT	1							
31	1	129795-49551	GASKET, COVER	1							
32	1	26106-080222	BOLT M 8X 22 PLATED	2							
33	1	171056-49120	PLUG, DRAIN	1							
34	1	121450-42450	PLUG M16	1							
35	1	121250-44901	SWITCH, THERMO(110	1							
36	1	124465-44950	GASKET 16	1							
37	1	124465-44950	GASKET 16	1							
38	1	129004-49610	PIPE ASSY, A MP2	1							
39	2	129004-49711	PIPE ASSY, A MP2	1							
40	2	119802-49730	CLAMP,CW-T	1							
41	2	124722-59050	CLAMP 9	2							
42	1	129004-49620	PIPE ASSY, B MP2	1							
43	2	129004-49721	PIPE, WATER B MP2	1							
44	2	124722-59050	CLAMP 9	1							
45	1	129044-44500	RADIATOR ASSY	1							
46	2	129508-44550	COCK ASSY	1							
47	2	129107-44590	CAP, RADIATOR	1							
48	2	129044-44600	SHROUD	1							
49	2	129601-44610	GASKET	2							
50	2	118400-44670	COLLOR,RUBBER	2							
51	2	118400-44720	RUBBER(D),RADIATOR	2							
52	2	26014-060122	BOLT M 6X 12	4							
53	1	124450-44510	SUB-TANK ASSY	1							
55	2	124450-44530	CAP	1							
56	2	124450-44560	CLAMP	1							
57	2	23061-070230	PIPE 7X 230	1							

N:Old $\begin{matrix} \text{Yes} \\ \text{No} \end{matrix}$ New, Q:Old $\begin{matrix} \text{No} \\ \text{Yes} \end{matrix}$ New, R:Old $\begin{matrix} \text{Yes} \\ \text{No} \end{matrix}$ New, S:Old $\begin{matrix} \text{No} \\ \text{Yes} \end{matrix}$ New, W:Add, Z:Discontinued, F:Interchangeable by set, K:Q'ty Change

++ CONTINUE ++

(C)Copy Rights YANMAR CO.,LTD.

Fig.10. COOLING WATER SYSTEM

(A)=3TNV88-BGPGE

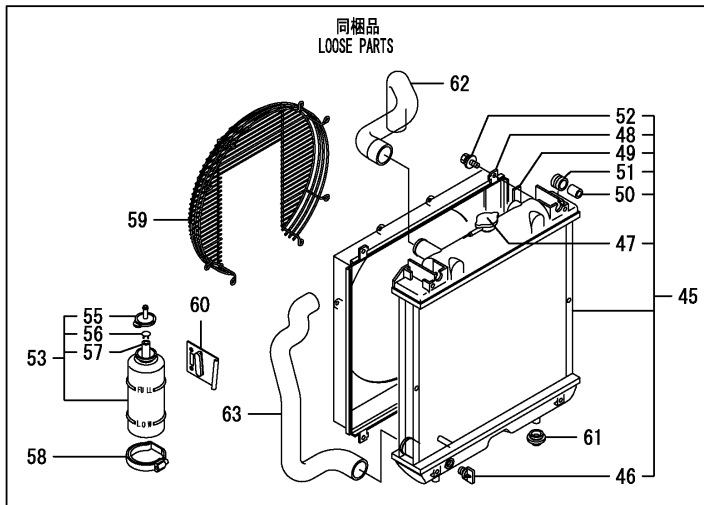
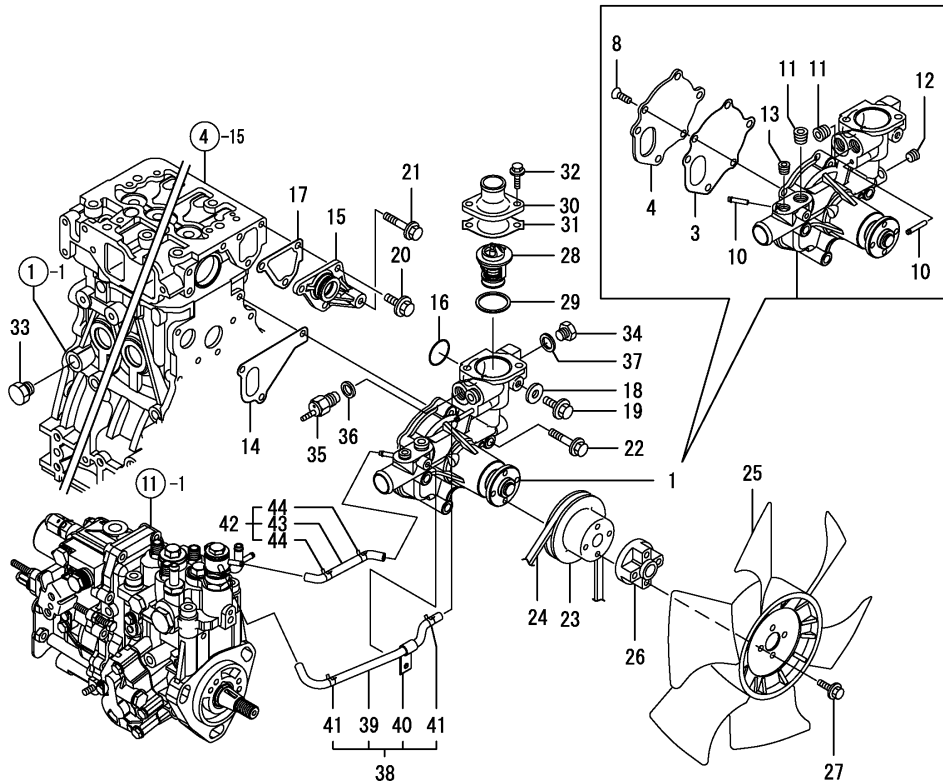
(B)=

(C)=

(D)=

(E)=

(F)=



REF.	LEV.	PARTS NO.	DESCRIPTION	QTY						I	R
				(A)	(B)	(C)	(D)	(E)	(F)		
58	1	124450-44550	CLAMP, SUB-TANK	1							
59	1	129601-44560	GUARD, FAN	1							
60	1	121256-44600	BRACKET, SUB-TANK	1							
61	1	119255-44660	RUBBER	2							
62	1	129602-49010	PIPE, COOLING WATER	1							
63	1	129612-49040	PIPE, COOLING WATER	1							

Fig.11. FUEL INJECTION PUMP

(A)=3TNV88-BGPGE

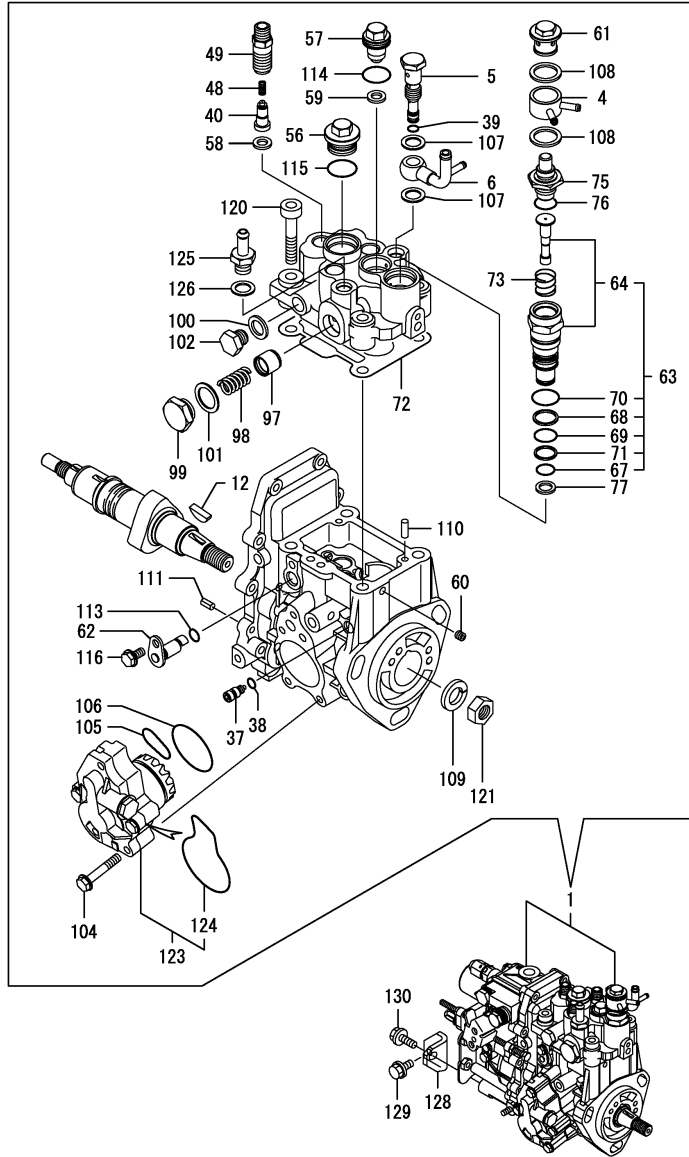
(B)=

(C)=

(D)=

(E)=

(F)=



REF.	LEV.	PARTS NO.	DESCRIPTION	Q'TY						I	R
				(A)	(B)	(C)	(D)	(E)	(F)		
1	1	729283-51390	INJECTION PUMP ASSY	1							1
4	2	158553-51551	JOINT, COOLING WATER	1							
5	2	158601-51650	JOINT	1							
6	2	158552-51670	JOINT	1							
12	2	119802-51090	KEY,WOODRUFF 4X16	1							
37	2	158600-51270	STOPPER	1							
38	2	158563-51281	O-RING	1							
39	2	158563-51281	O-RING	1							
39A	2	129008-51390	SETTING, DELIVERY	3							W
(A="2008.04.)											
I	48	3	158563-51330	SPRING	3						
	56	2	158601-51550	PLUG	1						
	57	2	119802-51560	BARREL PLUG	1						
	58	2	158552-51570	PK(BARREL PLUG	3						
	59	2	158552-51570	PK(BARREL PLUG	1						
	60	2	158557-51570	PLUG	1						
	61	2	158601-51570	PLUG,WATER PUMP	1						
	62	2	158552-51580	LIFTER	1						
	63	2	119802-51590	TIMER SET	1						
	64	3	119802-51600	TIMER CMP	1						
	67	3	158553-51670	O-RING, 1011	1						
	68	3	119802-51680	BACKUP RING	1						
	69	3	119802-51690	O RING	1						
	70	3	24356-010200	PACKING, 1020	1						
	71	3	24372-000150	RING, BACKUP T2 P 15	1						
	72	2	158552-51600	PACKING, HEAD	1						
	73	2	158553-51630	SPRING,TIMER	1						
	75	2	158553-51640	ELEMENT, THERMO	1						
	76	2	158553-51660	O-RING,P14	1						
	77	2	158553-51680	PACKING,TIMER	1						
	97	2	158601-51770	PISTON	1						
	98	2	158552-51781	SPRING	1						
	99	2	158601-51790	PLUG	1						
	100	2	22190-120002	SEAL WASHER 12	1						
	101	2	22190-180002	SEAL WASHER 18	1						
	102	2	23887-120002	PLUG M12,HEX.	1						
	104	2	158553-51770	BOLT	4						
	105	2	158552-52310	O-RING	1						
	106	2	158552-52400	O-RING 4E S42	1						
	107	2	22190-120002	SEAL WASHER 12	2						
	108	2	22190-180002	SEAL WASHER 18	2						
	109	2	22217-140000	SPRING WASHER 14	1						
	110	2	22312-050140	PARALLEL PIN 5X14	2						
	111	2	22351-050010	SPRING PIN 5X10	2						
	113	2	24311-000070	O-RING 1A P-7.0	1						
	114	2	24356-010180	O-RING	1						
	115	2	24356-010200	PACKING, 1020	1						
	116	2	26106-060102	BOLT 6X 10 PLATED	1						
	120	2	26450-080452	BOLT M 8X 45	4						
	121	2	26776-140002	LOCK NUT M14 PLATED	1						
	123	2	158552-52100	PUMP ASSY,FEED	1						

Remarks

(1) GOVERNOR ASSY(FIG.12) IS INCORPORATED IN THIS FUEL INJECTION PUMP.(REF.NO.1).

N:Old $\frac{Yes}{No}$ New, Q:Old $\frac{No}{Yes}$ New, R:Old $\frac{Yes}{Yes}$ New, S:Old $\frac{No}{No}$ New, W:Add, Z:Discontinued, F:Interchangeable by set, K:Q'ty Change

++ CONTINUE ++

(C)Copy Rights YANMAR CO.,LTD.

Fig.11. FUEL INJECTION PUMP

(A)=3TNV88-BGPGE

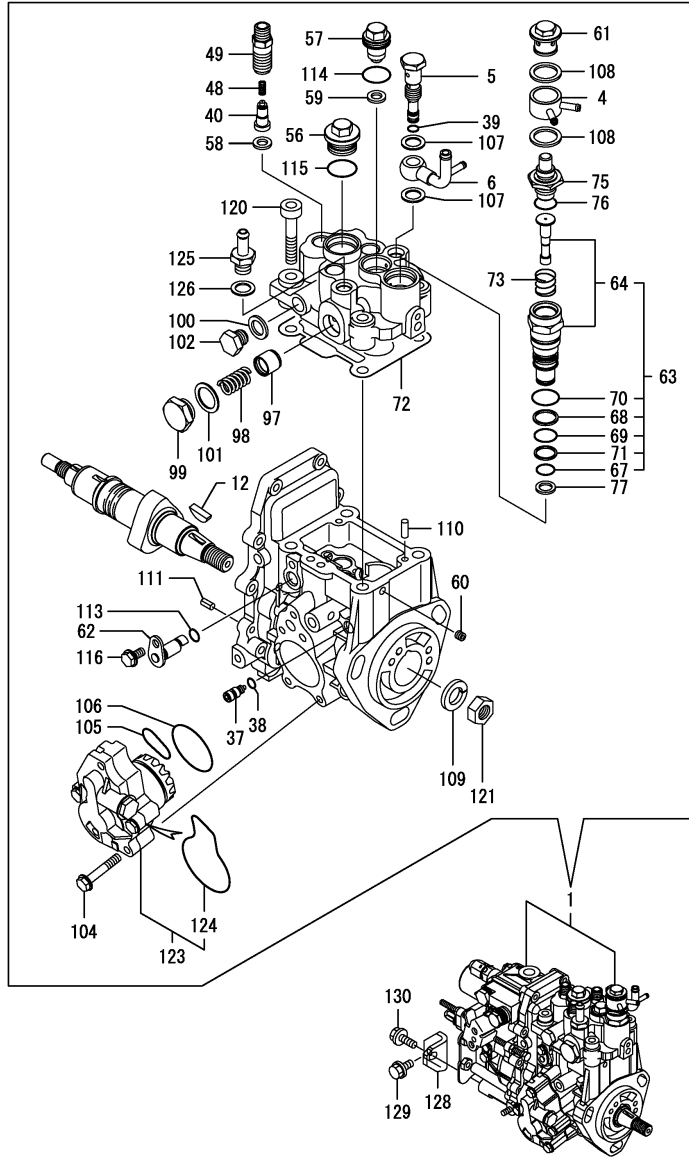
(B)=

(C)=

(D)=

(E)=

(F)=



REF.	LEV.	PARTS NO.	DESCRIPTION	QTY						I	R
				(A)	(B)	(C)	(D)	(E)	(F)		
124	3	158552-52500	O-RING(FEED P INNER	1							
125	2	119934-59910	JOINT,PIPE	1							
126	2	22190-120002	SEAL WASHER 12	1							
128	1	119802-51250	BRACKET, PUMP	1							
129	1	26106-080162	BOLT M 8X 16 PLATED	1							
130	1	26106-080202	BOLT M 8X 20 PLATED	1							

Remarks

(1) GOVERNOR ASSY(FIG.12) IS INCORPORATED IN THIS FUEL INJECTION PUMP.(REF.NO.1).

Fig.12. GOVERNOR

(A)=3TNV88-BGPGE

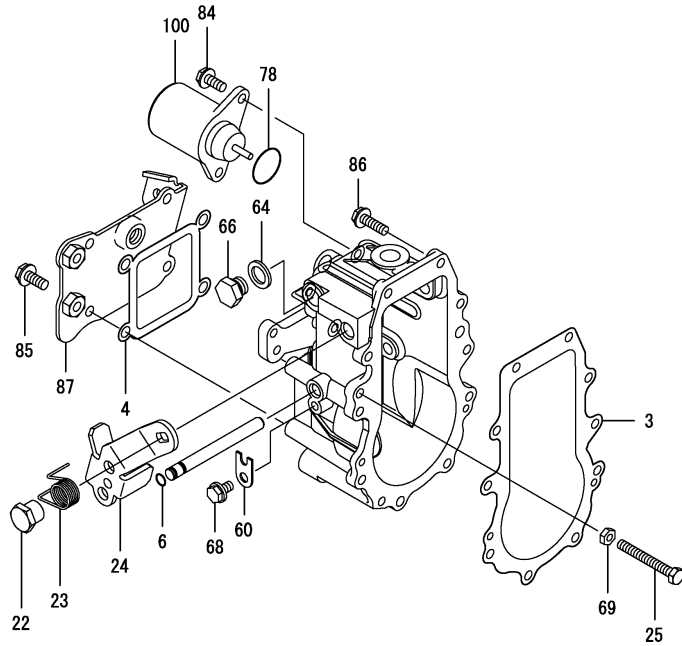
(B)=

(C)=

(D)=

(E)=

(F)=



REF.	LEV.	PARTS NO.	DESCRIPTION	QTY						I	R
				(A)	(B)	(C)	(D)	(E)	(F)		
3	2	158553-61050	PACKING, CASE	1							
4	2	158553-61070	PACKING	1							
6	2	129155-51280	O-RING S6	1							
22	2	129255-61410	NUT	1							
23	2	119807-61420	SPRING	1							
24	2	129246-61441	LEVER, REGULATOR	1							
25	2	129155-61460	BOLT, IDLE LIMIT	1							
60	2	119660-61901	RETAINER, SHAFT	1							
64	2	22190-120000	SEAL WASHER 12(BOLT)	1							
66	2	23887-120002	PLUG M12,HEX.	1							
68	2	26106-060102	BOLT 6X 10 PLATED	1							
69	2	26756-060002	LOCK NUT 6	1							
78	2	158552-61900	O-RING	1							
84	2	26106-060142	BOLT M 6X 14 PLATED	2							
85	2	26106-060142	BOLT M 6X 14 PLATED	4							
86	2	26106-060202	BOLT M 6X 20 PLATED	10							
87	2	129246-61061	COVER, CASE	1							
100	2	119653-77950	SOLENOID, STOP	1							

Remarks

* THIS FIGURE(GOVERNOR ASSY)IS
INCORPORATED IN THE FUEL INJECTION
PUMP ASSY(FIG.11).

Fig.13. FUEL INJECTION VALVE

(A)=3TNV88-BGPGE

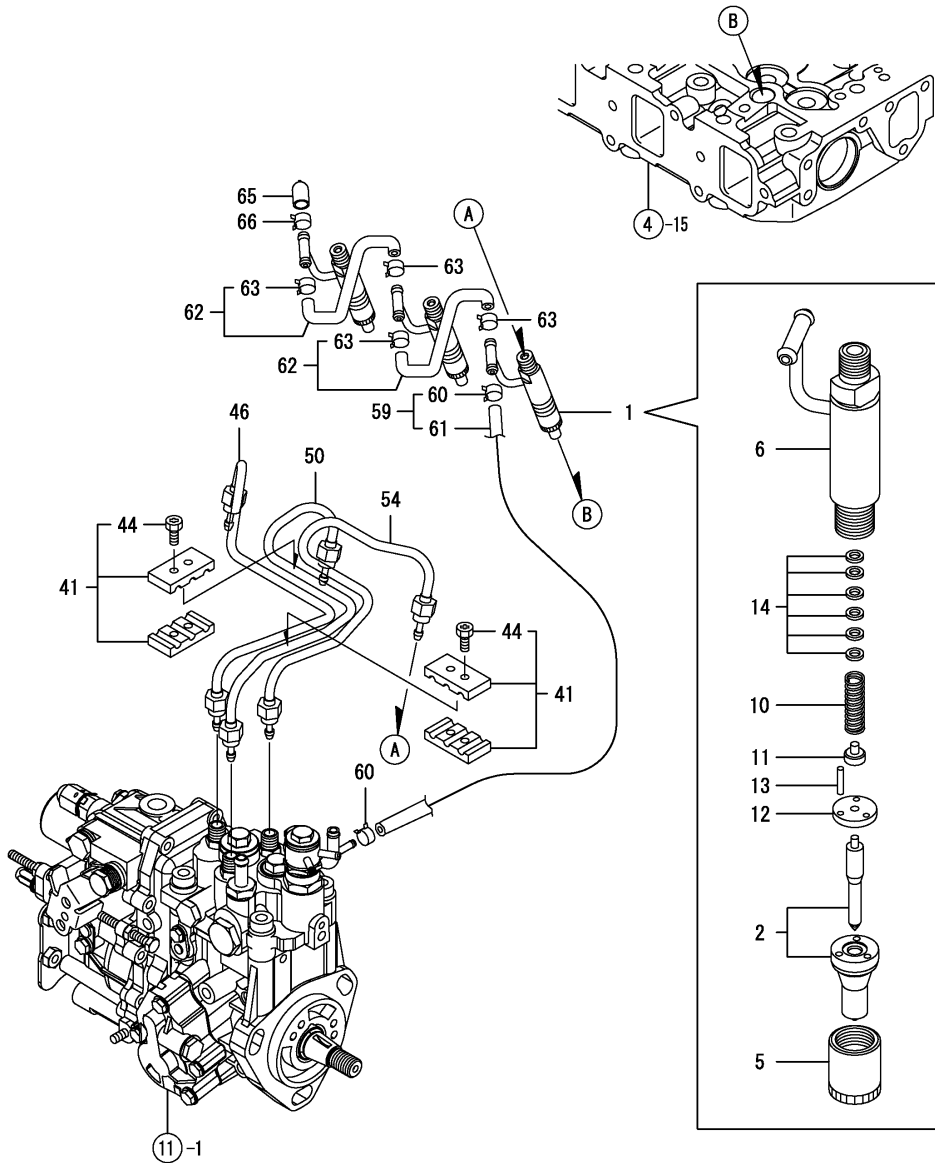
(B)=

(C)=

(D)=

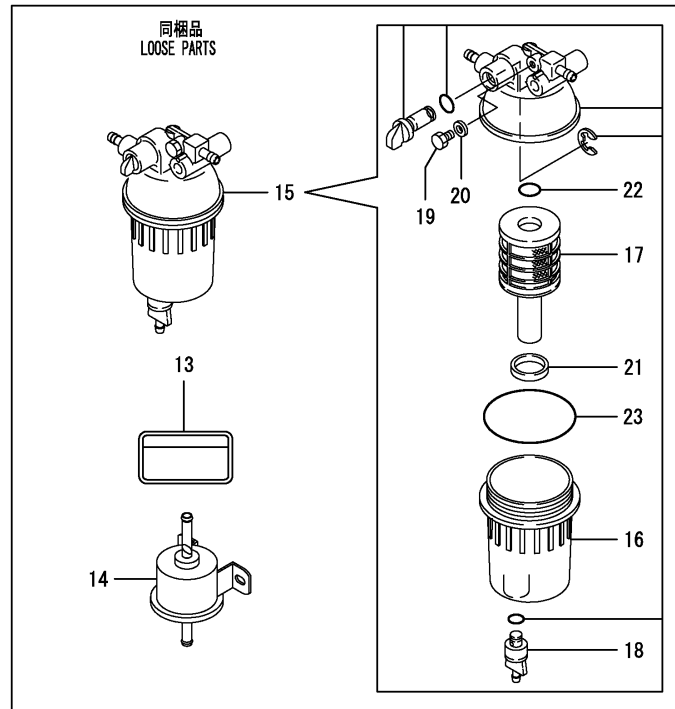
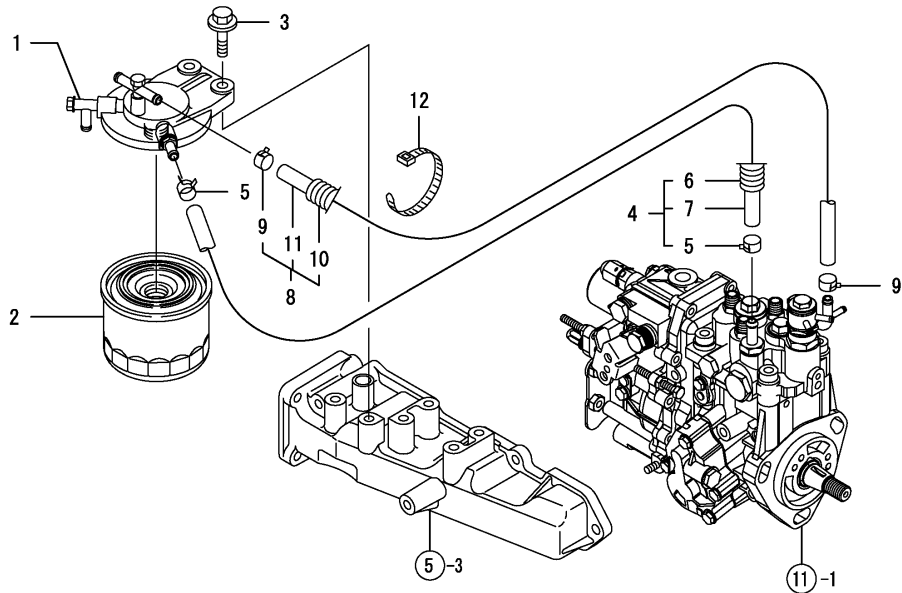
(E)=

(F)=



REF.	LEV.	PARTS NO.	DESCRIPTION	QTY						I	R
				(A)	(B)	(C)	(D)	(E)	(F)		
1	1	729283-53100	FUEL INJECTOR(SDT	3							
2	2	129283-53000	NOZZLE ASSY	3							
5	2	114250-53080	NUT, NOZZLE CASE	3							
6	2	119802-53100	HOLDER ASSY, NOZZLE	3							
10	2	114250-53120	SPRING, NOZZLE	3							
11	2	114250-53130	SEAT, NOZZLE SPRING	3							
12	2	114250-53140	PLATE, STOP	3							
13	2	114250-53210	PIN	6							
14	2	119803-53400	SHIM SET	3							
41	1	129150-59120	RETAINER, INJ. PIPE	2							
44	2	129150-59131	BOLT M4X14,HEX.SCKT.	4							
46	1	129004-59811	PIPE ASSY, INJECTION	1							
50	1	129004-59821	PIPE ASSY, INJECTION	1							
54	1	129004-59831	PIPE ASSY, INJECTION	1							
59	1	119802-59550	PIPE ASSY, RETURN	1							
60	2	124722-59050	CLAMP 9	2							
61	2	119802-59560	PIPE, FUEL RETURN	1							
62	1	129486-59551	PIPE, FUEL RETURN	2							
63	2	124722-59050	CLAMP 9	4							
65	1	119593-59581	CAP	1							
66	1	124060-77680	CLAMP 10	1							

Fig.14. FUEL LINE



(A)=3TNV88-BGPGE

(B)=

(C)=

(D)=

(E)=

(F)=

REF.	LEV.	PARTS NO.	DESCRIPTION	Q'TY						I	R
				(A)	(B)	(C)	(D)	(E)	(F)		
1	1	129004-55612	BRACKET,FUEL FILTER	1							
2	1	119802-55801	FILTER, FUEL	1							
3	1	26106-080302	BOLT M 8X 30 PLATED	2							
4	1	129044-59010	PIPE, FUEL	1							
5	2	124766-59050	CLAMP 12	2							
6	2	129044-59100	PROTECTOR, PIPE 15	1							
7	2	129044-59510	PIPE, FUEL OIL	1							
8	1	129950-59311	PIPE, FUEL	1							
9	2	124766-59050	CLAMP 12	2							
10	2	129961-59110	TUBE	1							
11	2	105025-59580	PIPE, FUEL OIL	1							
12	1	121750-59890	CLAMP 140	1							
13	1	114110-07760	LABEL, FUEL OIL NOTI	1							
14	1	119225-52102	PUMP ASSY, FUEL FEED	1							
15	1	129242-55700	SEPARATOR ASSY	1							
16	2	129242-55720	CUP(CLEAR	1							
17	2	129242-55730	ELEMENT	1							
18	2	129242-55740	PLUG,DRAIN	1							
19	2	129242-55750	PLUG,BREATHER	1							
20	2	129242-55760	PACKING,BREATHER	1							
21	2	129242-55770	FLOAT	1							
22	2	24311-000160	O-RING 1A P-16.0	1							
23	2	24321-000750	O-RING 1A G-75.0	1							

Fig.15. STARTING MOTOR

(A)=3TNV88-BGPGE

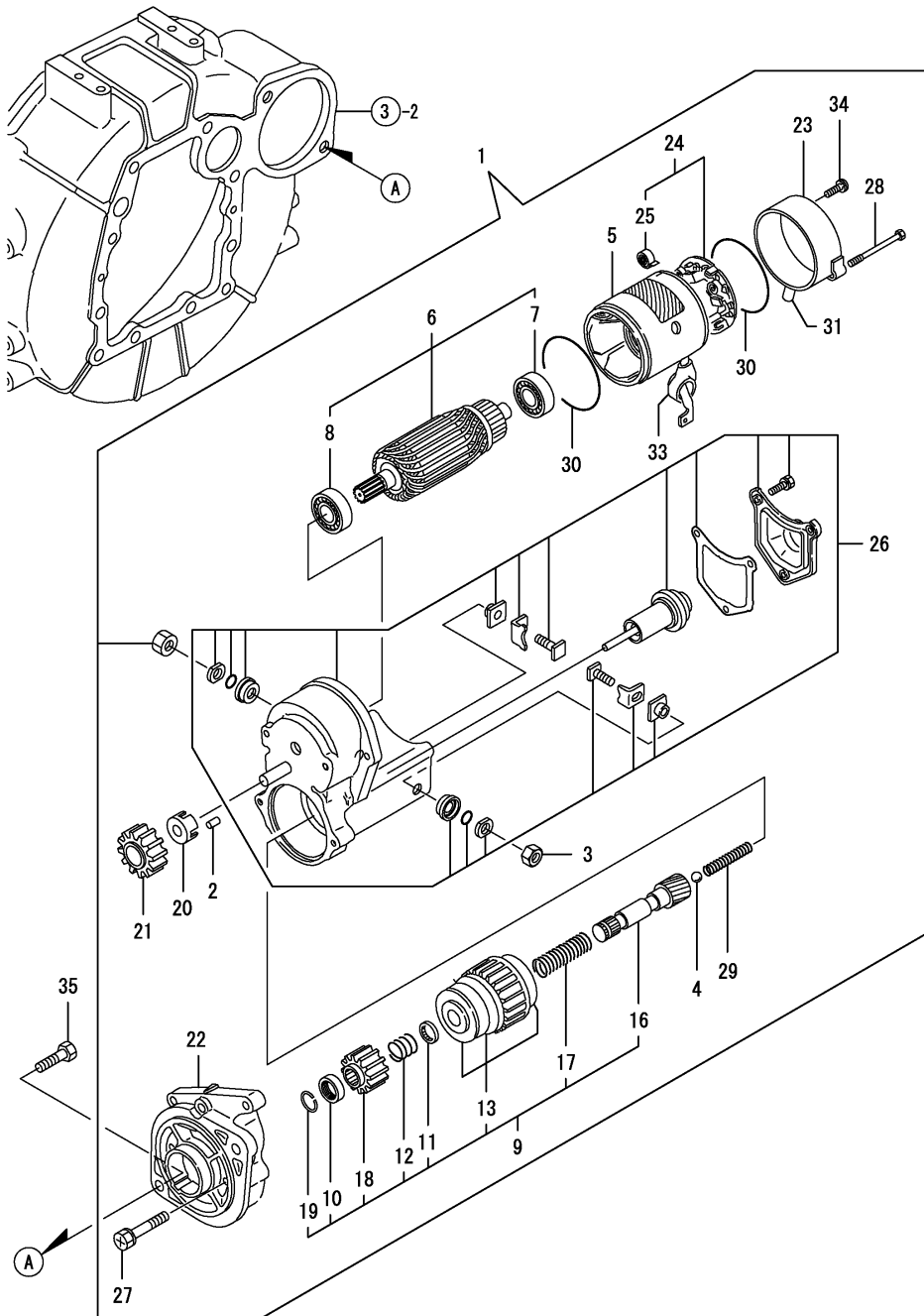
(B)=

(C)=

(D)=

(E)=

(F)=



REF.	LEV.	PARTS NO.	DESCRIPTION	QTY						I	R
				(A)	(B)	(C)	(D)	(E)	(F)		
1	1	129129-77010	STARTER ASSY	1							
2	2	X0283060061	ROLLER	5							
3	2	X9490561370	NUT	1							
4	2	X9491200240	BALL	1							
5	2	129129-77210	YOKE ASSY	1							
6	2	129129-77220	ARMATURE ASSY	1							
7	3	129129-77230	BEARING	1							
8	3	129129-77240	BEARING	1							
9	2	129129-77250	STARTER ASSY	1							
10	3	X0280210230	NUT	1							
11	3	X0283270140	RETAINER	1							
12	3	X9491703371	SPRING, COIL	1							
13	3	129129-77390	CLUTCH ASSY, STARTER	1							
16	3	129129-77400	SHAFT	1							
17	3	129129-77410	SPRING, COIL	1							
18	3	129129-77420	PINION	1							
19	3	129129-77430	RING	1							
20	2	129129-77260	RETAINER	1							
21	2	129129-77270	PINION	1							
22	2	129129-77280	HOUSING	1							
23	2	129129-77290	FRAME	1							
24	2	129129-77300	HOLDER ASSY	1							
25	3	X9491730461	SPRING	4							
26	2	129129-77310	SWITCH ASSY	1							
27	2	129129-77320	BOLT	2							
28	2	129129-77330	BOLT	2							
29	2	129129-77340	SPRING	1							
30	2	129129-77350	O-RING	2							
31	2	129129-77362	COVER	1							
33	2	129129-77380	CAP	1							
34	2	129129-77460	SCREW	2							
35	1	26116-120252	BOLT M12X 25 PLATED	2							

Fig.16. GENERATOR

(A)=3TNV88-BGPGE

(B)=

(C)=

(D)=

(E)=

(F)=

REF.	LEV.	PARTS NO.	DESCRIPTION	QTY						I	R
				(A)	(B)	(C)	(D)	(E)	(F)		
1	1	129795-01900	STUD	1							
2	1	129423-77200	GENERATOR	1							
3	2	X9490561001	NUT	1							
4	2	119620-77380	ROTOR ASSY	1							
5	3	123501-79240	BEARING, BALL	1							
6	3	119620-79250	COVER, BEARING	1							
7	2	119620-77421	FLAME ASSY, DRIVE	1							
8	3	119620-79200	BALL BEARING	1							
9	3	119620-79210	PLATE	1							
10	3	119620-79220	SCREW	4							
11	3	119620-79230	BOLT, STUD	2							
12	2	119620-77440	FLAME ASSY, REAR	1							
13	2	129240-79300	COVER	1							
14	2	119620-77461	PULLEY	1							
15	2	119620-77471	NUT	1							
16	2	119620-77490	COLLAR	1							
17	2	129423-77710	REGULATOR ASSY	1							
18	2	119620-79260	HOLDER	1							
19	2	129052-79270	HOLDER, BRUSH	1							
20	3	119620-77480	BRUSH ASSY	2							
21	3	119620-79280	SPRING	2							
22	2	119620-79290	SCREW	6							
23	2	119620-79300	SCREW	1							
24	2	119620-79310	BOLT	3							
25	2	119620-79320	SCREW W/WASHER	2							
26	2	119620-79330	BOLT	2							
27	2	119620-79340	INSULATION BUSH	1							
28	2	119620-79350	NUT	2							
29	2	119620-79360	THRUST WASHER	1							
30	1	26306-100002	NUT	1							
31	1	119940-77270	ADJUSTER, BELT	1							
32	1	119940-77330	ADJUSTER, BELT	1							
33	1	129972-77341	BOLT, ADJUSTING	1							
34	1	26106-080452	BOLT M 8X 45 PLATED	1							
35	1	119643-66900	DIODE	1							
36	1	119650-77910	RELAY, GROW	1							
39	1	129211-77920	TIMER	1							

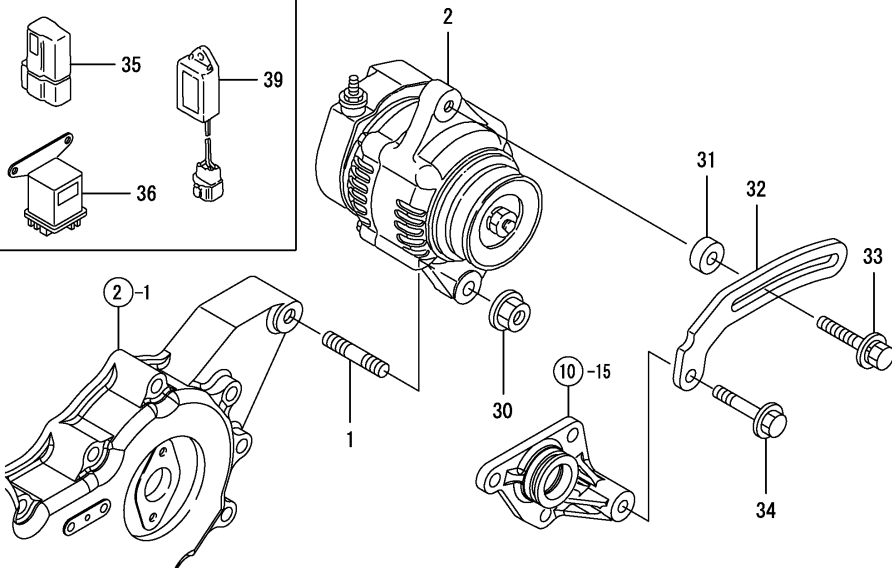
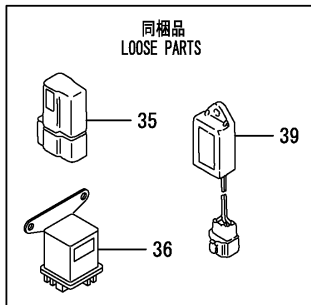
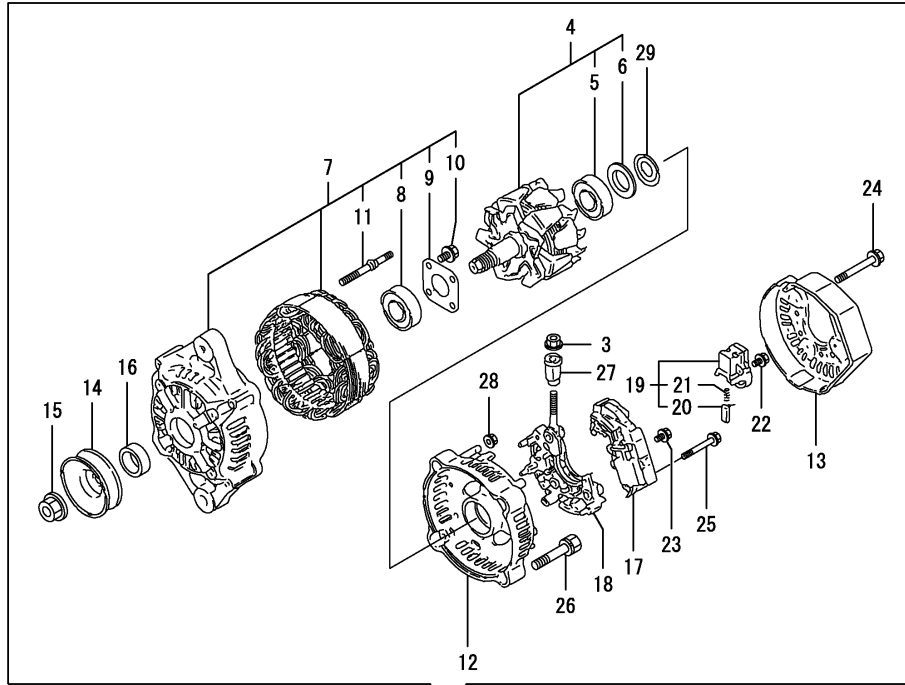
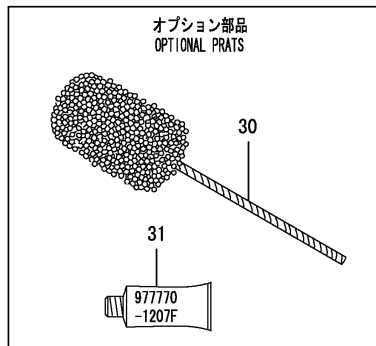
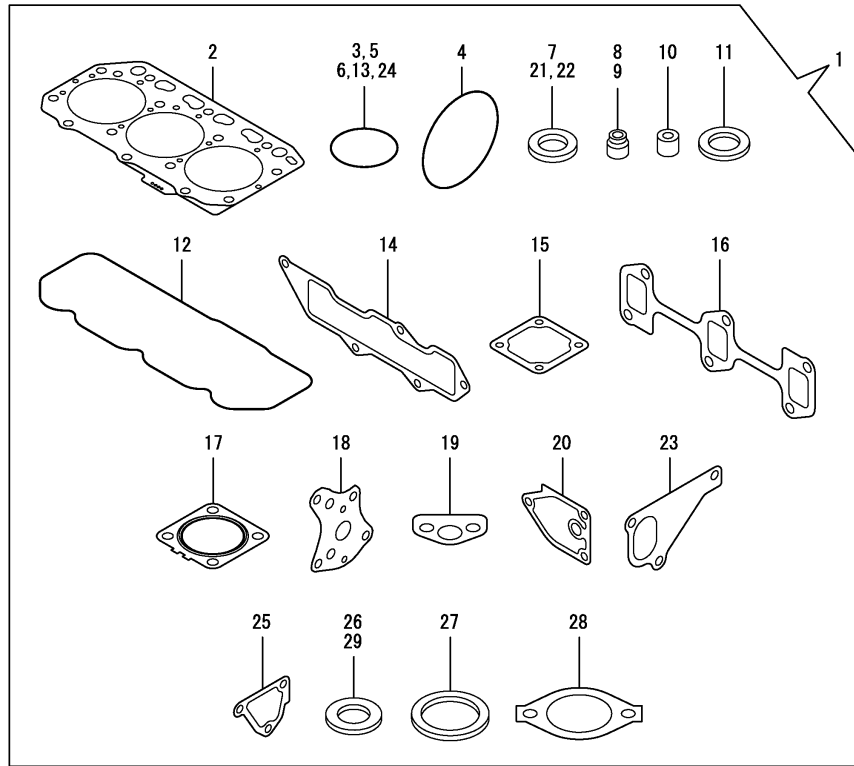


Fig.17. GASKET SET



(A)=3TNV88-BGPGE

(B)=

(C)=

(D)=

(E)=

(F)=

REF.	LEV.	PARTS NO.	DESCRIPTION	Q'TY						I	R
				(A)	(B)	(C)	(D)	(E)	(F)		
1	1	729005-92630	GASKET SET(NON-ASB.)	1							1
2	2	129001-01340	GASKET, (NON-ASB.)	1							
3	2	119609-32040	O-RING P16	2							
4	2	121850-51960	O-RING, F.I.PUMP	1							
5	2	24311-000320	O-RING 1A P-32.0	2							
6	2	24341-000240	O-RING 1A S-24.0	1							
7	2	22190-220002	SEAL WASHER 22S	1							
8	2	121400-11340	SEAL, VALVE STEM	3							
9	2	124460-11340	SEAL, VALVE STEM	3							
10	2	119802-11870	PROTECTOR, NOZZLE	3							
11	2	119625-11880	SEAT, NOZZLE	3							
12	2	129004-11310	GASKET, BONNET	1							
13	2	24311-000120	PACKING, P 12.0	3							
14	2	129001-12110	GASKET, MANIFOLD	1							
15	2	129150-77511	GASKET, AIR HEATER	1							
16	2	129150-13110	GASKET, EXH.MANIFOLD	1							
17	2	129004-13200	GASKET, SILENCER	1							
18	2	129150-32020	GASKET, L.O. PUMP	1							
19	2	129150-35042	GASKET, PIPE	1							
20	2	129150-35111	GASKET, BRACKET	1							
21	2	22190-080002	SEAL WASHER 8S	2							
22	2	22190-100002	SEAL WASHER 10S	2							
23	2	129486-42021	GASKET	1							
24	2	129486-42140	O-RING,CW-P	1							
25	2	124395-49840	GASKET, CASE	1							
26	2	23414-080000	GASKET 8, ROUND	1							
27	2	129150-49811	GASKET, (NON-ASB.)	1							
28	2	129795-49551	GASKET, COVER	1							
29	2	124465-44950	GASKET 16	2							
30	1	129400-92430	HORN, FLEX	1							1
31	1	977770-1207F	GASKET.LIQUID	1							1

Remarks
(1) OPTIONAL PART.

Fig.18. SHORT BLOCK

(A)=3TNV88-BGPGE

(B)=

(C)=

(D)=

(E)=

(F)=

REF.	LEV.	PARTS NO.	DESCRIPTION	Q'TY						I	R
				(A)	(B)	(C)	(D)	(E)	(F)		
1	1	729232-01000	SHORT BLOCK ASSY	1							
2	2	129232-01560	CYLINDER BLOCK CMP	1							
3	2	729402-01650	CASE ASSY, OIL SEAL	1							
3-1	2	129648-01600	CASE ASSY, OIL SEAL	1							N
		(A=EZZZZZ)									
4	2	129150-14200	TAPPET	6							
5	2	129129-14580	CAMSHAFT ASSY	1							
6	2	129008-21000	CRANKSHAFT ASSY	1							
7	2	129005-22080	PISTON ASSY	3							
8	2	129202-22300	PIN, PISTON	3							
9	2	729402-23100	ROD ASSY, CONNECTING	3							
10	2	119802-25101	GEAR ASSY, IDLE	1							
11	2	22252-000260	RING, 26	6							
12	2	26106-080142	BOLT, 8 X14	2							

NOT ILLUSTRATED

Remarks
* NOT ILLUSTRATED.

Part Number Index

All parts are stipulated in the order of part numbers.

(Depending on the area in which the part is used.)

This index will display the location of the part according to each part number.

PARTS No. INDEX

PARTS No.	Fig.	Ref.No.
105025-59580	14	11
114110-07760	14	13
114250-39450	9	27
114250-53080	13	5
114250-53120	13	10
114250-53130	13	11
114250-53140	13	12
114250-53210	13	13
118400-44670	10	50
118400-44720	10	51
119131-18320	6	5
119225-52102	14	14
119255-44660	10	61
119593-59581	13	65
119609-32040	2	9
	17	3
119620-01750	3	3
119620-77380	16	4
119620-77421	16	7
119620-77440	16	12
119620-77461	16	14
119620-77471	16	15
119620-77480	16	20
119620-77490	16	16
119620-79200	16	8
119620-79210	16	9
119620-79220	16	10
119620-79230	16	11
119620-79250	16	6
119620-79260	16	18
119620-79280	16	21
119620-79290	16	22
119620-79300	16	23
119620-79310	16	24
119620-79320	16	25
119620-79330	16	26
119620-79340	16	27
119620-79350	16	28
119620-79360	16	29
119625-11880	4	32
	17	11
119640-01640	3	8
119643-66900	16	35
119650-77910	16	36
119653-77950	12	100
119660-61901	12	60
119802-01561	2	5
119802-03110	4	43
119802-03121	4	44
119802-03130	4	45

PARTS No.	Fig.	Ref.No.
119802-03141	4	46
119802-11260	4	6
119802-11270	4	7
119802-11280	4	8
119802-11870	4	31
	17	10
119802-12500	5	12
119802-12560	5	16
119802-25071	7	13
119802-25101	7	10
	18	10
119802-25901	7	16
119802-35100	9	21
119802-35110	9	22
119802-39450	9	29
119802-49113	10	10
119802-49730	10	40
119802-51090	11	12
119802-51250	11	128
119802-51560	11	57
119802-51590	11	63
119802-51600	11	64
119802-51680	11	68
119802-51690	11	69
119802-53100	13	6
119802-55801	14	2
119802-59550	13	59
119802-59560	13	61
119803-01520	2	4
119803-21200	8	4
119803-25050	7	9
119803-53400	13	14
119803-77520	5	8
119807-61420	12	23
119808-12540	5	14
119866-12541	5	15
119910-12210	5	11
119934-01800	2	3
119934-59910	11	125
119940-77270	16	31
119940-77330	16	32
120130-11860	4	29
120270-54410	4	34
121023-01551	2	19
121111-21501	8	11
121250-44901	10	35
121256-44600	10	60
121267-44760	10	26
121400-11340	4	25
	17	8

PARTS No.	Fig.	Ref.No.
121450-42450	10	34
121520-34810	9	17
121550-23200	8	26
121750-59890	14	12
121850-21680	8	10
121850-42410	10	8
121850-51960	2	10
	17	4
123501-79240	16	5
123900-13610	6	3
123900-13630	6	4
124060-01050	1	4
124060-77680	13	66
124160-01751	2	6
	4	39
124160-01910	1	6
		7
124160-11360	4	51
124160-39140	9	28
124240-01871	2	7
124395-49840	10	17
	17	25
124450-44510	10	53
124450-44530	10	55
124450-44550	10	58
124450-44560	10	56
124460-11340	4	26
	17	9
124465-44950	10	36
		37
	17	29
124550-21600	8	14
124722-59050	10	41
		44
	13	60
		63
124766-59050	14	5
		9
129001-01250	1	5
129001-01340	1	28
	17	2
129001-02931	1	29
129001-12110	5	4
	17	14
129001-32001	9	1
129001-91841	2	11
129004-03010	4	41
129004-03080	5	1
129004-11241	4	3
129004-11251	4	4

PARTS No.	Fig.	Ref.No.
129004-11310	4	48
	17	12
129004-11350	4	40
129004-11650	4	10
129004-11900	4	33
129004-12100	5	3
129004-12520	5	13
129004-13109	6	1
129004-13200	6	7
	17	17
129004-14580	7	3
129004-34802	9	16
129004-42001	10	1
129004-42040	10	15
129004-49610	10	38
129004-49620	10	42
129004-49711	10	39
129004-49721	10	43
129004-55612	14	1
129004-59811	13	46
129004-59821	13	50
129004-59831	13	54
129005-11100	4	21
129005-21650	8	8
129005-22080	18	7
129005-22500	8	17
129005-22950	8	34
129005-59830	9	30
129008-11700	4	15
129008-21000	8	1
	18	6
129008-22080	8	15
129008-22900	8	32
129008-51390	11	39 A
129008-77800	4	54
129008-77820	4	55
129030-44740	10	25
129044-44500	10	45
129044-44600	10	48
129044-59010	14	4
129044-59100	14	6
129044-59510	14	7
129052-79270	16	19
129100-01580	3	1
		14
	8	2
129100-01640	3	15
129100-01730	3	6
129100-01760	3	7
129100-11112	4	22

PARTS No. INDEX

PARTS No.	Fig.	Ref.No.
129100-23910	8	29
129100-35140	9	23
129100-35301	9	19
129100-42051	10	3
129100-42121	10	4
129107-44590	10	47
129129-14580	18	5
129129-77010	15	1
129129-77210	15	5
129129-77220	15	6
129129-77230	15	7
129129-77240	15	8
129129-77250	15	9
129129-77260	15	20
129129-77270	15	21
129129-77280	15	22
129129-77290	15	23
129129-77300	15	24
129129-77310	15	26
129129-77320	15	27
129129-77330	15	28
129129-77340	15	29
129129-77350	15	30
129129-77362	15	31
129129-77380	15	33
129129-77390	15	13
129129-77400	15	16
129129-77410	15	17
129129-77420	15	18
129129-77430	15	19
129129-77460	15	34
129150-01200	1	27
129150-02020	1	9
129150-02450	7	4
129150-02871	1	32
129150-02931	1	24
129150-02941	1	35
129150-03070	4	42
129150-11230	4	11
129150-11280	4	9
129150-11370	4	14
129150-11750	4	13
129150-11810	4	30
129150-13110	6	2
	17	16
129150-14101	7	6
129150-14200	7	1
	18	4
129150-14400	7	2
129150-23601	8	27

PARTS No.	Fig.	Ref.No.
129150-23611	8	30
129150-25301	7	15
129150-32020	9	14
	17	18
129150-35042	9	18
	17	19
129150-35111	9	24
	17	20
129150-35153	9	25
129150-49811	10	29
	17	27
129150-59120	13	41
129150-59131	13	44
129150-77511	5	7
	17	15
129155-42350	10	23
129155-49801	10	28
129155-51280	12	6
129155-61460	12	25
129202-22300	8	21
	18	8
129211-77920	16	39
129232-01560	18	2
129240-79300	16	13
129242-55700	14	15
129242-55720	14	16
129242-55730	14	17
129242-55740	14	18
129242-55750	14	19
129242-55760	14	20
129242-55770	14	21
129246-61061	12	87
129246-61441	12	24
129255-61410	12	22
129283-53000	13	2
129350-49530	10	30
129400-92430	17	30
129410-03990	5	2
129423-77200	16	2
129423-77710	16	17
129486-01670	3	18
129486-42021	10	14
	17	23
129486-42140	10	16
	17	24
129486-59551	13	62
129508-44550	10	46
129601-44560	10	59
129601-44610	10	49
129602-49010	10	62

PARTS No.	Fig.	Ref.No.
129612-42330	10	24
129612-49040	10	63
129648-01600	18	3 -1
129795-01780	3	17
129795-01900	16	1
129795-01950	2	8
129795-02412	1	12
129795-11120	4	23
129795-11180	4	24
129795-21661	8	9
129795-49551	10	31
	17	28
129900-07900	4	1
129916-49740	10	11
129950-59311	14	8
129961-59110	14	10
129972-77341	16	33
158552-51151	7	17
158552-51570	11	58
		59
158552-51580	11	62
158552-51600	11	72
158552-51670	11	6
158552-51781	11	98
158552-52100	11	123
158552-52310	11	105
158552-52400	11	106
158552-52500	11	124
158552-61900	12	78
158553-51551	11	4
158553-51630	11	73
158553-51640	11	75
158553-51660	11	76
158553-51670	11	67
158553-51680	11	77
158553-51770	11	104
158553-61050	12	3
158553-61070	12	4
158557-51570	11	60
158563-51281	11	38
		39
158563-51330	11	48
158600-51270	11	37
158601-51550	11	56
158601-51570	11	61
158601-51650	11	5
158601-51770	11	97
158601-51790	11	99
171051-01921	1	8
171056-49120	10	33

PARTS No.	Fig.	Ref.No.
171340-21590	8	12
171420-01600	3	2
719803-01500	2	1
729005-01560	1	1
729005-92630	17	1
729232-01000	18	1
729283-51390	11	1
729283-53100	13	1
729402-01650	18	3
729402-23100	8	23
	18	9
977770-1207F	17	31
X0280210230	15	10
X0283060061	15	2
X0283270140	15	11
X9490561001	16	3
X9490561370	15	3
X9491200240	15	4
X9491703371	15	12
X9491730461	15	25



YANMAR CO.,LTD.